

IBOX-101 PLUS

Intel® Celeron® J1900 Processor - Industrial PC

FEATURES



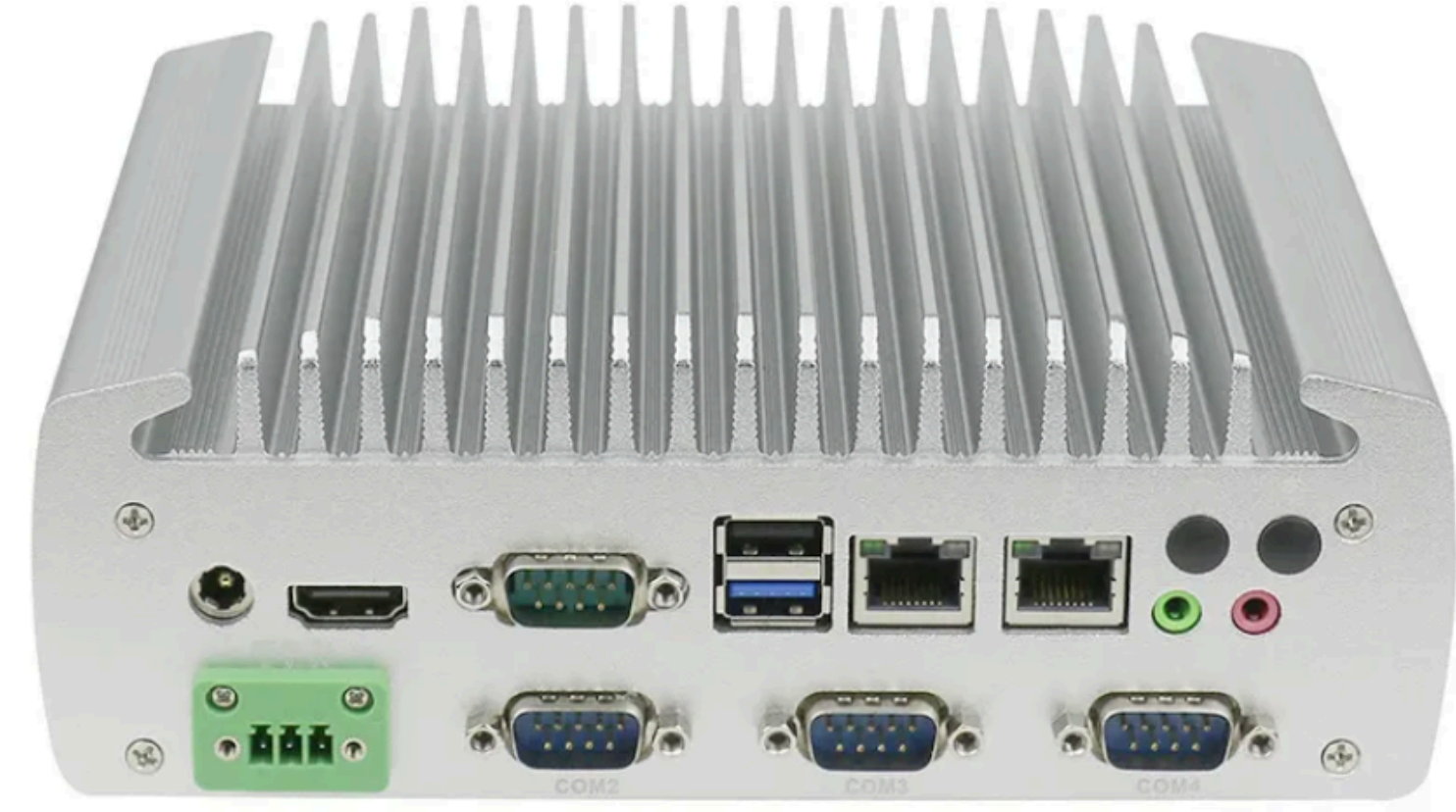
- Fanless Aluminum Design
- Intel® Celeron® J1900 Processor
- 1 × MSATA, 1 × 2.5-inch HDD
- 2 × DDR3L, Max. 8 GB
- 6 × COM Ports
(COM1, COM2 RS232/RS485 optional)
- 1 × Mini PCIe

SPECIFICATION

| SYSTEM | | |
|-----------------------|---|--|
| Processor | Intel® Celeron® J1900 (quad core four threads, 1.99GHz, TDP 10W) | |
| Memory | 1 × DDR3L 1333/1600MHz SODIMM, Max. 8 GB | |
| BIOS | AMI UEFI BIOS | |
| Display Chip | Intel® HD Graphics | |
| Display Port | 1 × HDMI 1 × Built-in LVDS | Support synchronous/asynchronous 2 display |
| Storage | 1 × MSATA 1 × 2.5-inch HDD | |
| Expansion | 1 × Mini PCIe (support MSATA) 1 × Mini PCIe (WiFi/3G/4G optional), embedded SIM Card Slot | |
| OS Support | Windows 7, Windows 8, Windows 10, Linux | |
| Front I/O | 4 × USB 2.0 2 × COM Ports 1 × Power Button | |
| Rear I/O | 1 × USB 3.0 1 × USB 2.0 4 × COM Ports (COM1, COM2 RS232/RS485 optional) 1 × 3 PIN Phoenix Connector 2 × 1000M LAN Ports 1 × HDMI 1 × DC-In 1 × Mic 1 × Line Out | |
| Ethernet | 2 × Intel i211-AT 1000Mbps LAN Ports | |
| Power | DC 12V | |
| Other Function | Auto power on when there is electricity, Timing boot, Wake on LAN, PXE boot, Watchdog (0~ 255 level) (Standard configuration doesn't include) | |
| Application | Industrial Automation, Medical, Logistics Transportation, Warehouse, Electronic Education etc. | |
| Environment | | |
| Operating Temperature | 0°C ~ 50°C (Commercial HDD), -20°C ~ 60°C (Industrial SSD), surface air flow | |
| Relative Humidity | 5% ~ 95% (non-condensing) | |
| Certification | CE, CCC, FCC Class A, RoHS | |
| MECHANISM | | |
| Dimension | 186 × 150 × 66 mm (not include the brackets) | |
| Net Weight | 1.6 kg (not include the brackets) | |



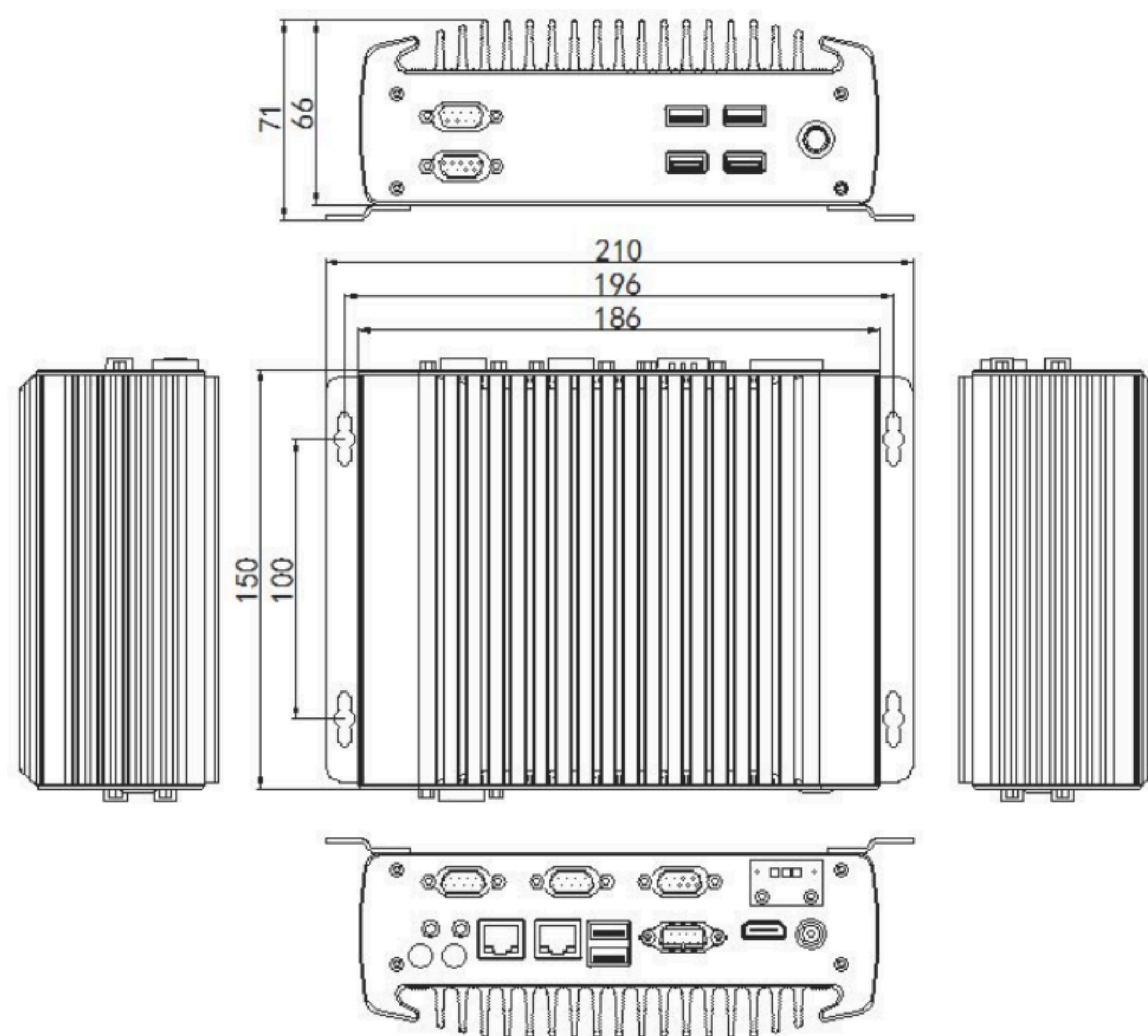
Front View



Rear View

DIMENSION

unit:mm



ORDER INFORMATION

| | | |
|---------------|-----------------------|---------------|
| IBOX-101PLUS | CPU | Specification |
| Configuration | Intel® Celeron® J1900 | Standard I/O |

ACCESSORY

| Part Name | Quantity | Specification |
|-------------------|----------|------------------------------|
| Power Adapter | 1 | 12V 5A |
| Power Cord | 1 | CN, US, UK, EU etc. |
| Bracket | 2 | Standard (included) |
| CD Driver | 1 | Neutral |
| HDMI to VGA Cable | 1 | HDMI to VGA Cable (included) |